

BADU® Picco II

Compact, versatile and with a flexible hose connection.
Developed for small pools and above ground pools.

Field of application

Swimming pool water circulation through a filter system.
The pump can be installed max. 1.5 m above or max. 3 m below water level.

Design

Monoblock-type pump with integrated strainer tank.
The bellows-type mechanical seal is mounted on a plastic shaft protector sleeve.
Motor/pump has no contact with the pool water providing complete electrical separation.
Strainer tank capacity approx. 0.5 l
Strainer basket mesh size approx. 2.8 x 2.8 mm

Materials used

Pump casing PP
Housing cover PP TV 40
Impeller PPE GF 30
Strainer basket PP
Lid PC, transparent/ABS
Mechanical seal carbon/ceramic/NBR
Screws stainless steel
Elastomers NBR

Technical data at 50 Hz	BADU Picco	II
Inlet Sa/outlet connection Da socket		Special union with hose adapter Ø 38/Ø 32/Ø 38*)
Rec. inlet/outlet pipe, hose, d ³⁾		1½"/1½" or 1¼"
Power input P ₁ /output P ₂ ¹⁾ (kW)	1~ 230 V	0.39/0.20
Rated current (A)	1~ 230 V	1.95

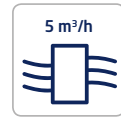
For detailed technical data regarding motors/devices please see page 38.

*) Further connection options available on request. | Technical data may vary.

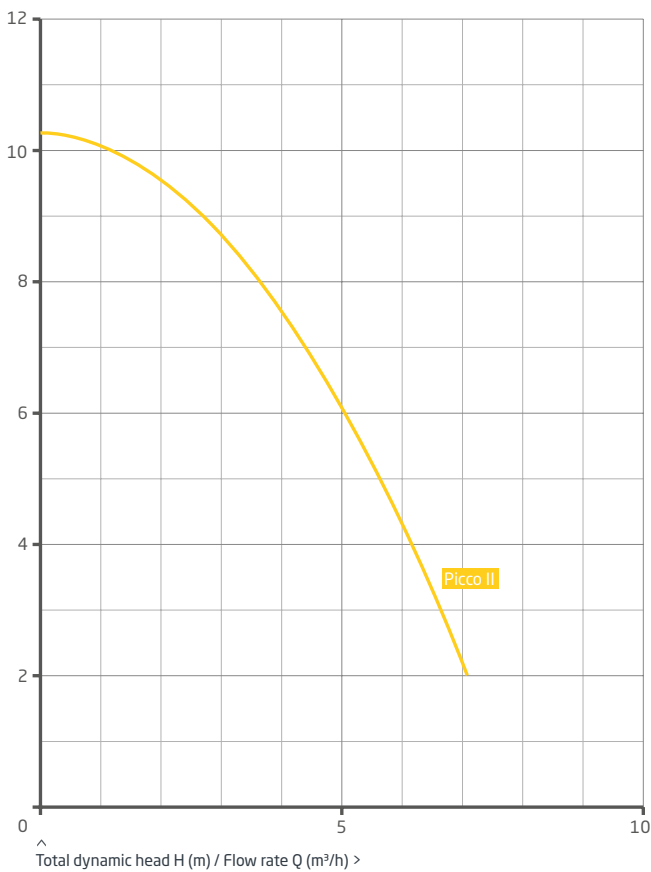
Article no	Description	Voltage	Power output P ₂
219.1028.038	BADU Picco II	1~ 230 V	0.20 kW



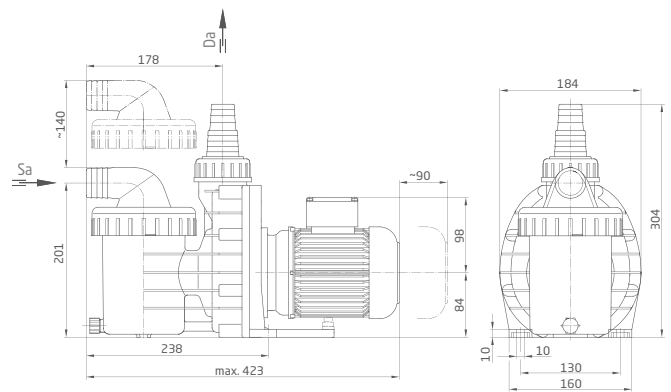
< Ready to plug in with 3.0 m cable



Characteristics



Dimensions



Detailed dimensions available on request or at badu.de